

# evoluzione cyclesports

installation instructions

## taillight/turnsignal conversion kit for 1998/2003 aprilia mille & 2003/2005 aprilia tuono

part number 85020

©2006, 2005, 2004, 2002, 2000 by evoluzione.net, inc.

this **evoluzione cyclesports taillight/turn signal conversion kit** was developed for the rsv/rsv-r mille & tuono rider who would like to simplify the rear end view of their bike by incorporating the turn signals into the factory brake light. this allows both the brake light and turn signal to function simultaneously. **note:** may not be street legal in all states - check local laws.

### introduction

this **evoluzione cyclesports taillight/turn signal conversion kit** is easy to install by carefully following the instructions. read all instructions first to familiarize yourself with the parts and procedures.

### installation

caution: It is suggested that the bike be allowed to cool off for a

few hours to avoid burns from hot exhaust and parts.

**step 1.** remove the rear seat or cover.

**step 2.** remove the backing tape from the back of the brakelight/turnsignal module. firmly press the brakelight/turnsignal module onto the back left side of the storage area just behind the computer (please see picture one).

**step 3.** locate the white, two prong left side turn signal connector (blue and light blue wires). gently pull the connection apart. insert the yellow & white wire connector from the brakelight/turnsignal module into the factory connector (please see picture one).

**step 4.** locate the white, two prong right side turn signal connector (red and blue wires). gently pull the connection apart. insert the green & white wire connector from the brakelight/turnsignal module into the factory connector (please see picture one).

**step 5.** using an 8mm socket and 10mm wrench, remove the left and right turn signals (you will need to remove the plate holder to feed the connector through the hole).

**step 6.** with a 4mm allen wrench, remove the four (4) bolts holding the rear tail light housing assembly (two on the top, two on the bottom). gently rest the assembly on the license plate holder.

**step 7.** carefully feed the three wire harness (red, green & yellow) from the brakelight/turnsignal module along the subframe rail, back to the tail light area.

**step 8.** remove the two (2) yellow with green stripe wires from the back of the tail light. these are labeled "54 stop" (please see picture two).

**step 9.** using the supplied pieces of shrink tubing, slide the tubing over both of the wire ends (terminals). insert the red wire from the converter box into one of the connectors. using a heat gun or hair dryer,

38580 celine cove, suite "b"  
murrieta, california 92562

phone: 951.639.0951  
fax: 951.639.3022

october 2006, revision 05

shrink the tubing over the two terminals (please see picture two).  
**caution:** do not heat more than necessary.

**step 10.** insert the yellow wire from the brakelight/turnsignal module onto the left side tail light terminal marked "54 stop" (please see picture two).

**step 11.** insert the green wire from the brakelight/turnsignal module onto the right side tail light terminal marked "54 stop" (please see picture two).

**step 12.** reinstall the tail light housing assembly and the four (4) bolts, being careful to feed the wires back into the tail housing.

**step 13.** reinstall the rear seat or cover.

**step 14.** using a 3mm allen wrench, remove the two outside bolts below the front part of the fairing (above the wheel).

**step 15.** using a 3mm allen wrench, remove the two side bolts behind the rubber boot/wire connections on each side of the instrument panel. disconnect the white headlight connector in the left side rubber boot.

**step 16.** using a 4mm allen wrench, remove the four bolts (two each side) holding the mirrors onto the fairing. carefully remove the mirrors and front fairing.

**step 17.** disconnect the two wire connector from the square factory flasher unit located in front of the instrument panel. remove the flasher unit. install the supplied heavy duty flasher unit using the supplied tie wrap. reconnect the two wire harness.

**step 18.** reinstall the front part of the fairing and the mirrors. reconnect the headlight connector and slide the rubber boot back over the connections.

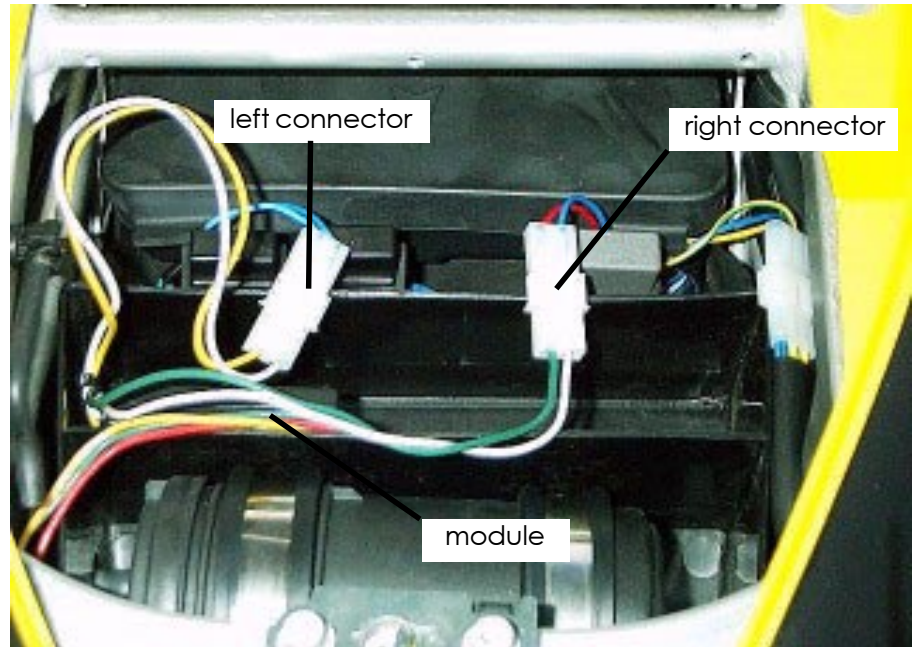
**step 19.** with another person, check that the brake, tail and turnsignals all function correctly. if not recheck that the wiring matches the instructions.

#### parts list

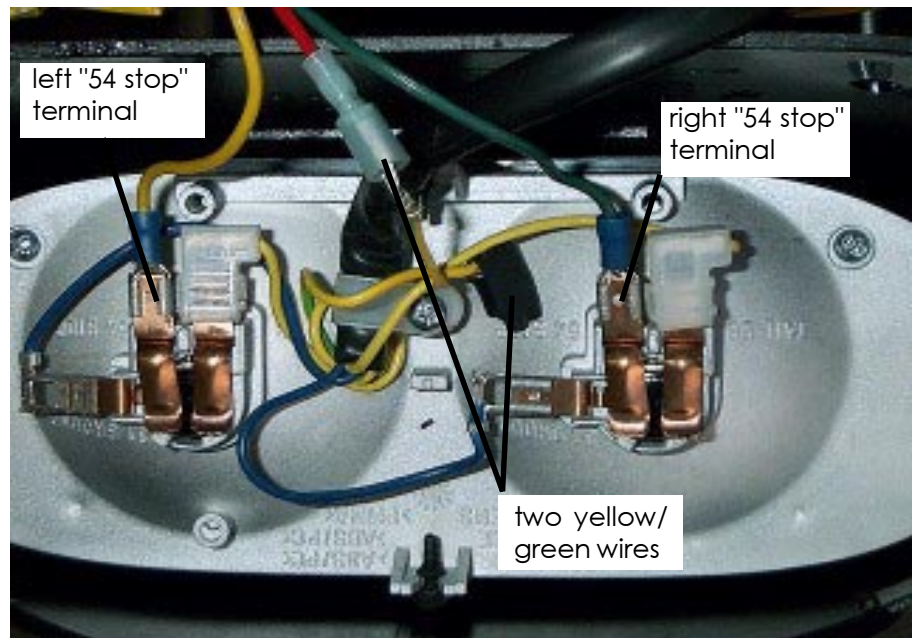
brakelight/turnsignal module  
1" shrink wrap (2)  
12" tie wrap (1)  
heavy duty flasher unit  
instruction sheet

#### tools required

3mm & 4mm allen wrenches  
8mm socket and ratchet  
10mm wrench  
heat gun/blow dryer



picture one



picture two